

# COGEN SYSTEMS®

## Lube Oil Waste Fumes Recovery System

Save 150 -200 Liter Lube Oil per Month or Rs. 80,000/Month in terms of Lube Oil makeup cost saving, as escaping oil vapours /white smoke from oil Breather are harnessed trapped back to crank

case , [info@franke-filter.de](mailto:info@franke-filter.de), [cogenpak@gmail.com](mailto:cogenpak@gmail.com), [www.franke-filter.de](http://www.franke-filter.de), [www.cogensys.pk](http://www.cogensys.pk), Mob: 0300 8287009, 0302- 8287009, Ph# 0092-21-35340068 & 71 Address# MB75/6B,Korangi Industrial Area,Karachi-74900 Pakistan



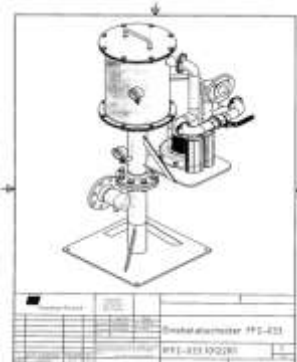
Our ref # CGS-LO13

Oct 2013

M/S .....

Phone .....Email:.....

**Qoutation: Lube Oil Mist /Fumes Recovery Systems for 1000 KWe Gas Genset or 70 M3/Hr Volume Flow HFO & Diesel Engines, Gas Turbine, Steam Turbine, etc**



#	Imported Items Descriptions :Franke #13221124 OCT 10 /13	Qty	Unit @	Total Euro
1	Lube Oil Mist Separator Type FF2-066 Specifications FF2-033, 100 mbar @ 70 M3/H, Drwg # 1FF2-066.10034 -R1, Process sch # 0XXX0079A	1 NO	4,350	4,350
2	Optional Spare –Extra Filter set (4 NO/Set) Microfibre Filter Elements Type MFK-032-39-3 with Certificate of Origin for filter cartridge	1 Set	450	450
3	PACKAGING & Transportaion shipment CIF Karachi pakistan	1 Lot	1,150	1,150
=	Currency conversion: Euro To Pak Rs. Rate today 145 Rs/Euro.	=====	=====	=====
4	Total cost CIF Karachi Pakistan in Euros	Euros	<b>5,950</b>	<b>5,950</b>

### Local Items :Arrangement of Electrical Starter Panel wall mounted & Install+ commissioning.

5	Motor started panel MCC- for 0.70 KWe, 3 phase,50 Hv,400V, motor started panel with Alarm/Hooter ,lamps/ indicators and Standards Safeties	1 set	Rs.	100,000
6	Installtion design consultancy testing commissioning by Cogen Systems, fee within Karachi Area, Currency conversion: Euro To Pak Rs. Rate today 145 Rs/Euro.	1 Job	Rs.	100,000

### TERMS & CONDITIONS

Payment Terms: 100% Advance payment thry TT to Frank Filter Germany

Equipment Del:ivery period: 8-10 weeks by Ship CIF Karachi Pakistan

Equipment Performance warranty: Standard 12 Months from the date of Commissioning .

Kind Regards,

**Bastian Blinne**  
Abdel hakim taufik

**Manfred Franke**  
CEO

**Khalid Saeed**  
CoGen Systems Khi Pak

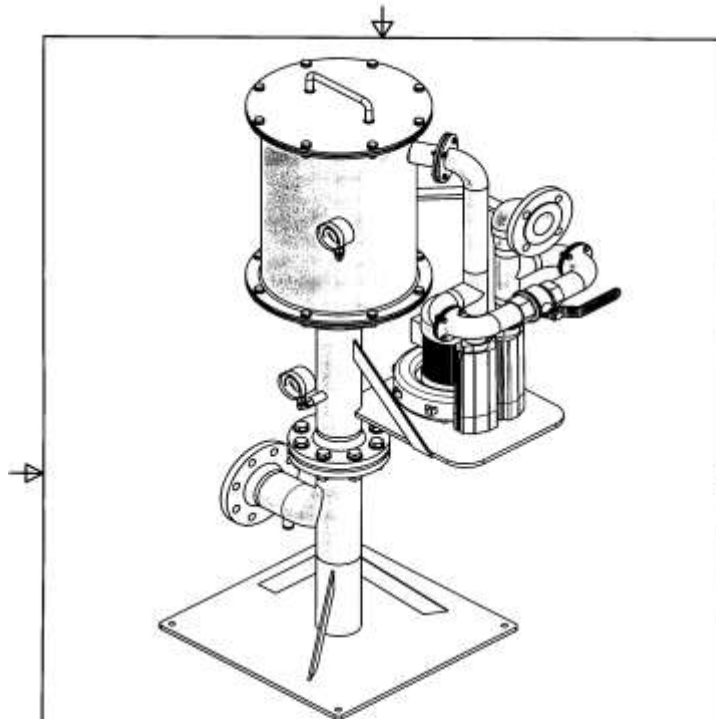


# COGEN SYSTEMS®

## Lube Oil Waste Fumes Recovery System

Save 150 -200 Liter Lube Oil per Month or Rs. 80,000/Month in terms of Lube Oil makeup cost saving, as escaping oil vapours /white smoke from oil Breather are harnessed trapped back to crank

case , [info@franke-filter.de](mailto:info@franke-filter.de), [cogenpak@gmail.com](mailto:cogenpak@gmail.com), [www.franke-filter.de](http://www.franke-filter.de), [www.cogensys.pk](http://www.cogensys.pk), Mob: 0300 8287009, 0302- 8287009, Ph# 0092-21-35340068 & 71 Address# MB75/6B, Korangi Industrial Area, Karachi-74900 Pakistan



**Engines, Gas Turbines, Steam Turbines, GearBox, Lube Oil Fumes Exhaust Waste Recovery System, trap back escaping oil back to the Crank case or Gear Box, and save Rs. 80,000 per Month when emitting 70 M3/H white fumes.**

### Lube oil makeup cost cutting

Will also reduce your Factory Pollution  
Oily Smoke damages the Human and  
Production Quality

Cost saving is considerable

150-200 Liter/Month

Rs. 60,000 to 80,000 per Month

Equipment Cost 6000 Euros Only

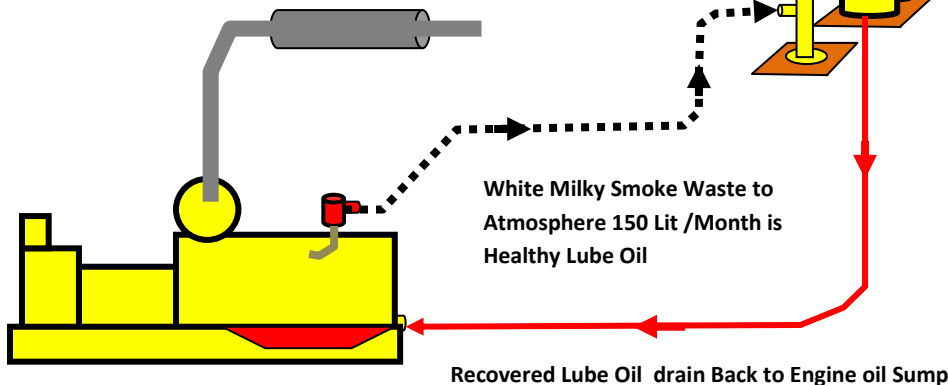
Payback Period = 11 Months only

Equipment Life 25 Yrs, Cartridge set cost

500 Euros, after 4 Years.

(Change after Earning 3 Million Rs.)

Also qualify for Clean Pollution Free Industry  
as per EPA, ISO 14000, API, NFPA, WHO,  
Regulations, and your products Export  
Permissions.

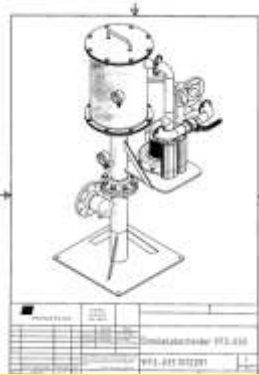


# COGEN SYSTEMS®

## Lube Oil Waste Fumes Recovery System

Save 150 -200 Liter Lube Oil per Month or Rs. 80,000/Month in terms of Lube Oil makeup cost saving, as escaping oil vapours /white smoke from oil Breather are harnessed trapped back to crank

case , [info@franke-filter.de](mailto:info@franke-filter.de), [cogenpak@gmail.com](mailto:cogenpak@gmail.com), [www.franke-filter.de](http://www.franke-filter.de), [www.cogensys.pk](http://www.cogensys.pk), Mob: 0300 8287009, 0302- 8287009, Ph# 0092-21-35340068 & 71 Address# MB75/6B, Korangi Industrial Area, Karachi-74900 Pakistan



### Lube oil makeup cost cutting – Save Rs. 80,000 per Month

Franke Filter also Reduces The Industrial Pollution.

Oily Smoke damages the Human Lungs and Your Product Quality

Cost Saving is considerable High as, 150-200 Liter/Month Lube Oil Cost Today @ 400 Rs/Ltr or Rs. 60,000 to 80,000 per Month, Equipment Cost 6000 Euros Only , Payback Period = 11 Months only, Equipment Life 25 Yrs, Cartridge set cost 500 Euros, after 4 Years. (Change after Earning 3 Million Rs.)

### FRANK FILTER GERMANY - Technical Specs & Consist as standards imported package from Germany

#		QTY
1	SUCTION FLANGE PN 80 - 3''D, PN16- DIN 2633	1 NO
2	SUCTION PIPE 3''D WITH SUPPORT PLATE FOR BLOWER / COMPRESSOR	1 NO
3	FILTER HOUSING 300 D, 12''D .INCLUDING FILTER ELEMENTS 230 MM L	1 NO
4	FILTER LID 12'' DIA LONG ( ST 37 Material) 300 MM DIA	1 NO
5	OIL RETURN CONNECTION WITH SHUT OFF VALVE ½''D	1 NO
6	VACUUM PRESSURE GAUGE #1 ( - 25 TO 0 MBAR ) CONNECTION KP63	1 NO
7	FILTER HOUSING SS 316 – PROCESS CONNECTION YELLOW BRASS	1 NO
8	VACUUM PRESSURE GAUGE # 2 ( -160 TO 0 MBAR),	1 NO
9	HOUSING SS 316 FOR GAUGES PROCESS CONNECTION YELLOW BRASS	1 NO
10	PIPING 1 ½''DIA CONNECTION-BLOWER CONNECTION 1 ¼''D + INTERNAL AIR FITTING	1 NO
11	SIDE CHANNEL FOR PUMP FOR VACUUM GEN-MOTOR 230-400V, 0.70 KWE, IP55,	1 NO
12	CLEAN AIR PIPING 1 ½''D CARBON STEEL	1 NO
13	CLEAN AIR FLANGE 2''DIA, INCLUDING BASE PLATE,	1 NO
14	PADESTAL 3''DIA INCLUDING BASE PLATE	1 NO
15	BENT TUBE 90 DEGREE, AND OIL TANK	1 NO
16	TWO COATING PAINT ,STANDARDS COLOUR RAL-5010,	1 NO
#	====	====

We are forwarding herewith our Quotation and shall be at your disposal for any further information you might require

**Bastian Blinne**  
+ Abdel hakim Toufik

**Manfred Franke**  
CEO

**Khalid Saeed SALES**  
CoGen Systems - Khi Pak

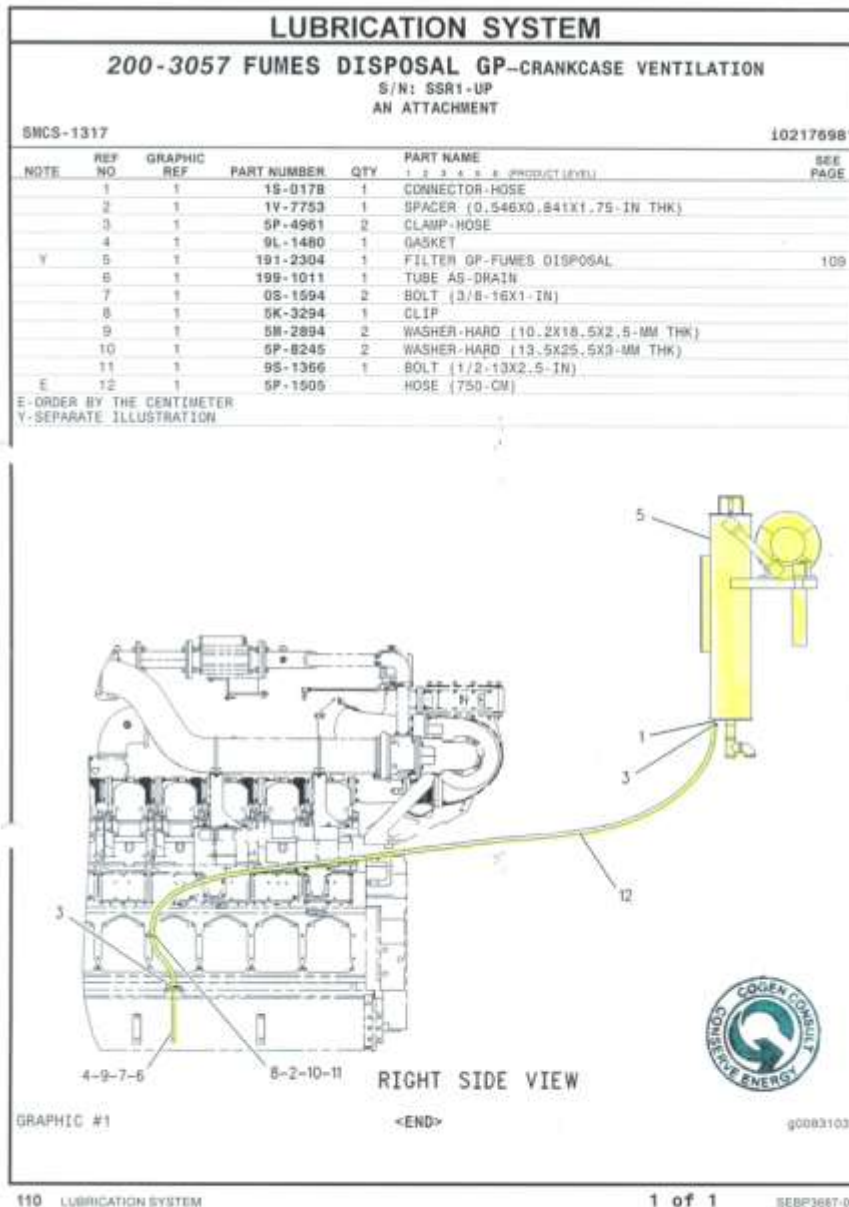


# COGEN SYSTEMS®

## Lube Oil Waste Fumes Recovery System

Save 150 -200 Liter Lube Oil per Month or Rs. 80,000/Month in terms of Lube Oil makeup cost saving, as escaping oil vapours /white smoke from oil Breather are harnessed trapped back to crank

case , [info@franke-filter.de](mailto:info@franke-filter.de), [cogenpak@gmail.com](mailto:cogenpak@gmail.com), [www.franke-filter.de](http://www.franke-filter.de), [www.cogensys.pk](http://www.cogensys.pk), Mob: 0300 8287009, 0302- 8287009, Ph# 0092-21-35340068 & 71 Address# MB75/6B, Korangi Industrial Area, Karachi-74900 Pakistan



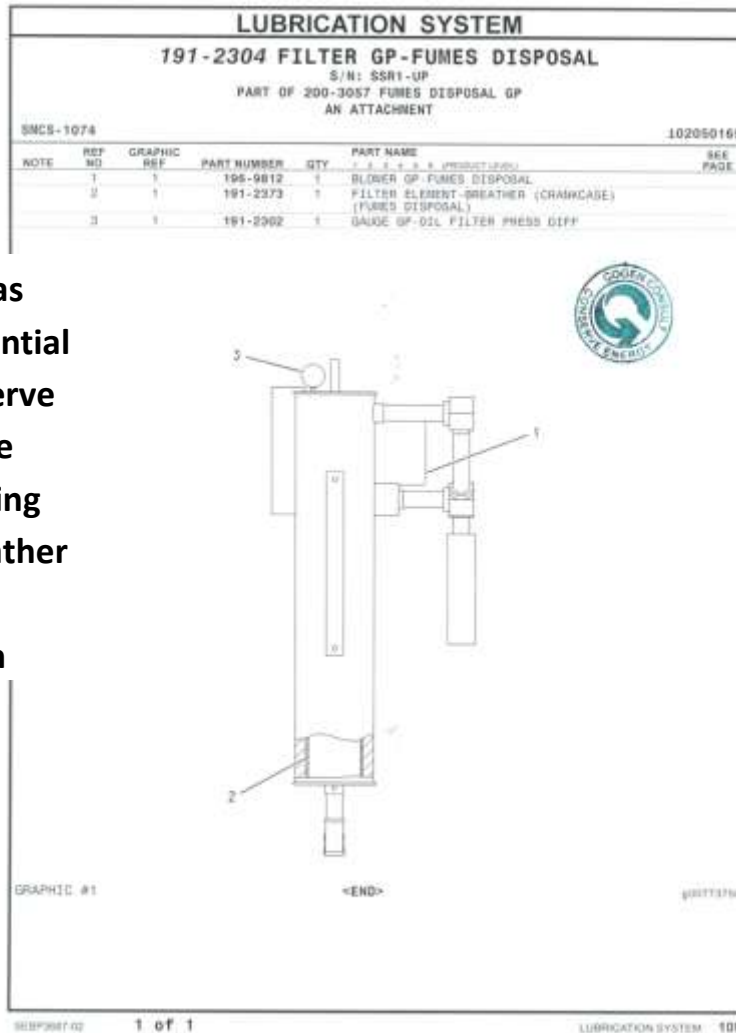
All  
contiuous  
Running  
Engines  
**Caterpillar**  
Gas Engines  
Running  
Continous  
Always  
conservLube  
Oi.l Fumes  
Disposal  
LUBE OIL  
WHITE  
FUMES TRAP  
SYSTEM  
escaping  
from oil  
breather  
Recycle 60-  
80 liters lube  
oil per  
Month

# COGEN SYSTEMS®

## Lube Oil Waste Fumes Recovery System

Save 150 -200 Liter Lube Oil per Month or Rs. 80,000/Month in terms of Lube Oil makeup cost saving, as escaping oil vapours /white smoke from oil Breather are harnessed trapped back to crank

case , [info@franke-filter.de](mailto:info@franke-filter.de), [cogenpak@gmail.com](mailto:cogenpak@gmail.com), [www.franke-filter.de](http://www.franke-filter.de), [www.cogensys.pk](http://www.cogensys.pk), Mob: 0300 8287009, 0302- 8287009, Ph# 0092-21-35340068 & 71 Address# MB75/6B, Korangi Industrial Area, Karachi-74900 Pakistan



**Caterpillar gas engines Assential part to conserve lube oil white fumes escaping from oil breather 15-200 Liters/month**

All continuous Running Engines **Caterpillar Gas Engines Running Continuous Always conserve Lube Oil Fumes Disposal LUBE OIL WHITE FUMES TRAP SYSTEM** escaping from oil breather Recycle 60-80 liters lube oil per Month

**Caterpillar gas engines Assential part to conserve lube oil white fumes escaping from oil breather 15-200 Liters/month costing 60,000 to 80,000 Rs/month**

