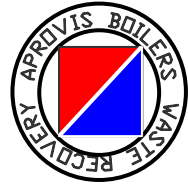


# **APROVIS COGEN BOILERS®**

## **Waste heat Recovery Boilers Germany**



TO

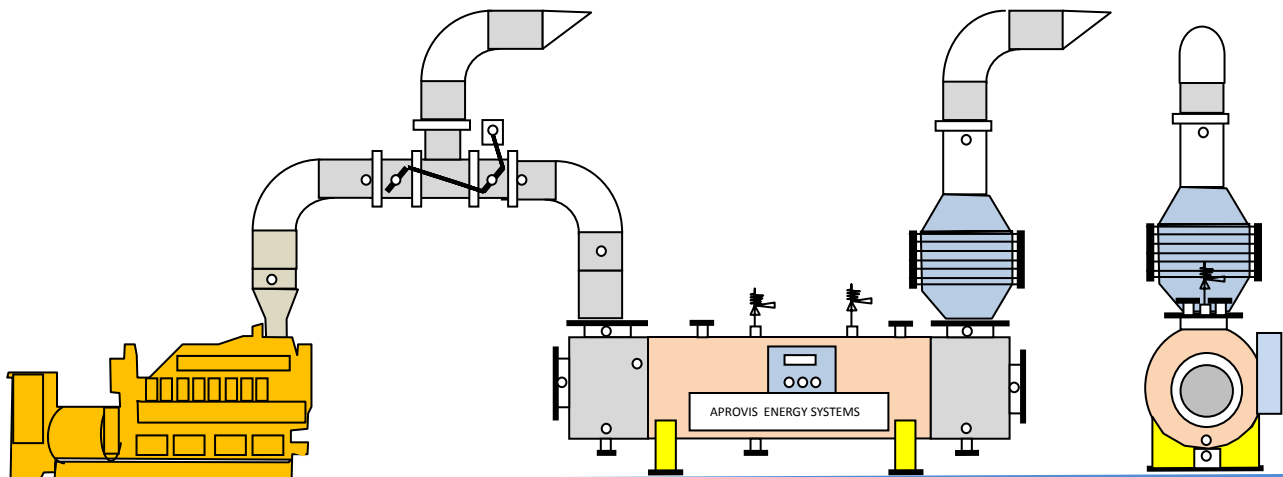
THE M.D / CEO/ CHAIRMAN

G.M. FACTORY / UTILITY MANAGER / FINANCE MANAGER

Recyk Exhaust Gases into useful ,steam, Hot Water

Electric Power, Distilled Water,AC Chillers,Ice makers.

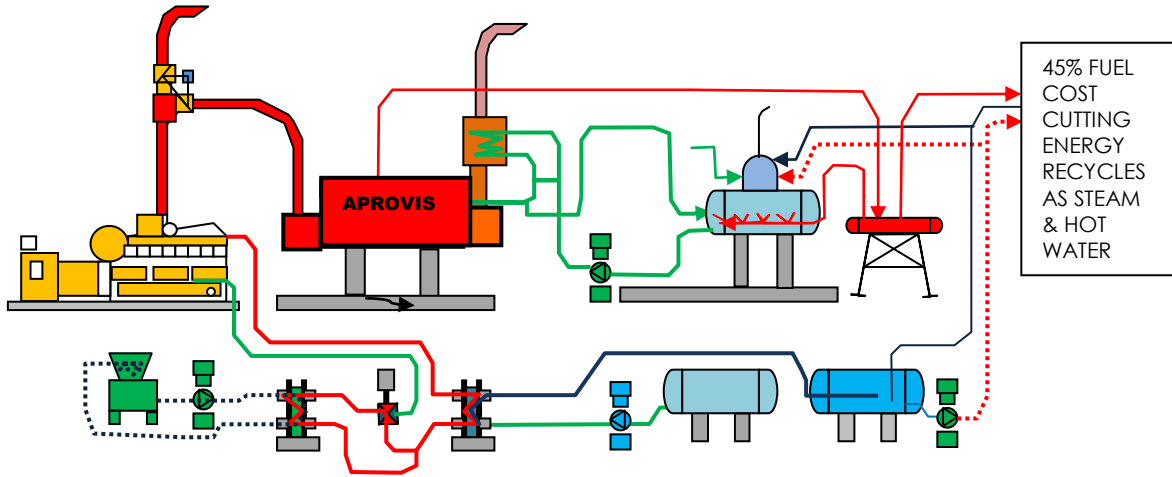
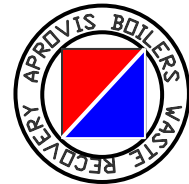
- **APROVIS WASTE HEAT RECOVERY BOILERS –GERMANY.**
- **90% THERMAL EFFICIENCY – DESIGN BY APROVIS GERMANY**
- **ENGINE-GAS TURBINES-FURNACES HEAT RECOVERY BOILERS.**
- **HIGHLY EFFICIENT – DESIGN AND TESTED AT DIN STANDARDS**
- **CONTROL PANELS WITH SAFETY PROTECTIONS –WALL MOUNT**
- **MANUFACTURING PROCEDURE DIN-BS-ASME-EC QUALIFIED.**
- **ENGINE EXHAUST RECOVERY THRU APROVIS BOILERS**
- **ENGINE JACKET HEAT RECOVERY THRU APROVIS BOILERS**
- **EXHAUST DIVERTING DAMPER –MODULATING & ON OFF TYPE.**
- **STEAM BOILER IN/OUT SMOKE CHAMBERS REFRACTORY INSULATED**
- **STEAM & WATER LEVEL CONTROLLER FROM SPIRAX SARCO**
- **EXHAUST ECONOMIZER TO IMPROVE 7% ENERGY EFFICIENCY**
- **EXHAUST TEMP HI & LOW PROTECTION ALARMS & SAFETY**
- **DOUBLE SAFETY VALVE AT STEAM OUTLET.**
- **BLOW DOWN VALVE SPRING RETURN**
- **BOILER FEED PUMPS SKID MOUNTED WITH VALVES NRV GA**
- **CONTINUOUS BLEED OFF VALVE MANUAL ADJUSTED**
- **APROVIS BOILER FEED AUTO LEVEL CONTROLLER**
- **BOILER DAMPER MODULATING TYPE WITH LIMIT SWITCHES**



From: Engr. MOHANDIS QURESHI- Address: APROVIS HOUSE # 111-A/2, 3<sup>RD</sup>. STREET, PHASE-6, KH-E-MUHAFIZ, DHA, KARACHI-75500, PAKISTAN, PH-0092 21 35340068/71, MOB: 0300 8287009, E-MAIL: info@aprovis-gmbh.de, E-mail: E-mail: aprovis@gmail.com, E-mail: cogepak@gmail.com,; www.cogensys.

# APROVIS COGEN BOILERS®

## Waste heat Recovery Boilers Germany



APROVIS COGEN –WASTE HEAT RECOVERY STEAM & HOT WATER BOILERS –FROM GERMANY – CONVERT 25% EXHAUST WASTE ENERGY –AND CUT DOWN YOUR GAS BILLS BY 25% - SAVING IS EARNING- APROVIS STEAM & HOT WATER BOILERS ,SIMPLEX OR DUPLEX TYPE ,HIGHLY EFFICIECNT, LONG LIFE, HIGH STEAM GENERATION COMPARED TO ANY COMPETITORS , APROVIS BOILERS PAYS ITSELF THE COST AND EARN PROFIT FOR EVER, AS ITS WORKMANSHIP & TUBE WELD ARE AUTOMATIC

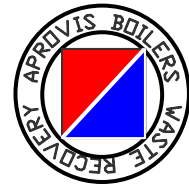
## APROVIS WASTE HEAT BOILERS IN PAKISTAN

APROVIS COGEN BOILERS	NO	385	Cogen		2010 UP	
PROECTS IN HAND	Qty	GEN Make Model	Exhaust Recovry	Hot Water	Ceramics Tiles	Year
<b>PROJECT INLINE 2010-2011</b>						
MACTER PHARMA SITE KHI	1	JENBACHER 320	STM	JWFW	PHARMA PROCESS	2007
HEJ INSTITUTE KARACHI UNIVERSITY	4	CAT G3412 -360 KWE	HW	JWHR	CHILLER 200RT	2008
NDC ISLAMABAD	6	GAT G3508	EXHST	HW	CHILLER250	2006
SHABBIR TILE UNIT # 1 LANDHI	6	JGS 320 1 MWE	JWHR	HW85C	CHILLER 450	2009
SHABBIR TILE UNIT # 1 LANDHI	1	JENB JGS32	STEAM	Hot Wtr	AC CHILLER	2009
SHABBIR TILE UNIT # 1 LANDHI	1	JENB JGS 320	STEAM	Hot Wtr	AC CHILLER	2010
SHABBIR TILE UNIT # 2 BIN QASIM	1	CAT G 3520C	STEAM	Hot Wtr	AC CHILLER	2010
SHABBIR TILE UNIT # 2 BIN QASIM	1	CAT G 3516C	STEAM	Hot Wtr	AC CHILLER	2009
SHABBIR TILE UNIT # 2 BIN QASIM	1	CAT G 3516C	STEAM	Hot Wtr	AC CHILLER	2009
SHABBIR TILE UNIT # 2 BIN QASIM	1	CAT G 3516C	STEAM	Hot Wtr	AC CHILLER	2009

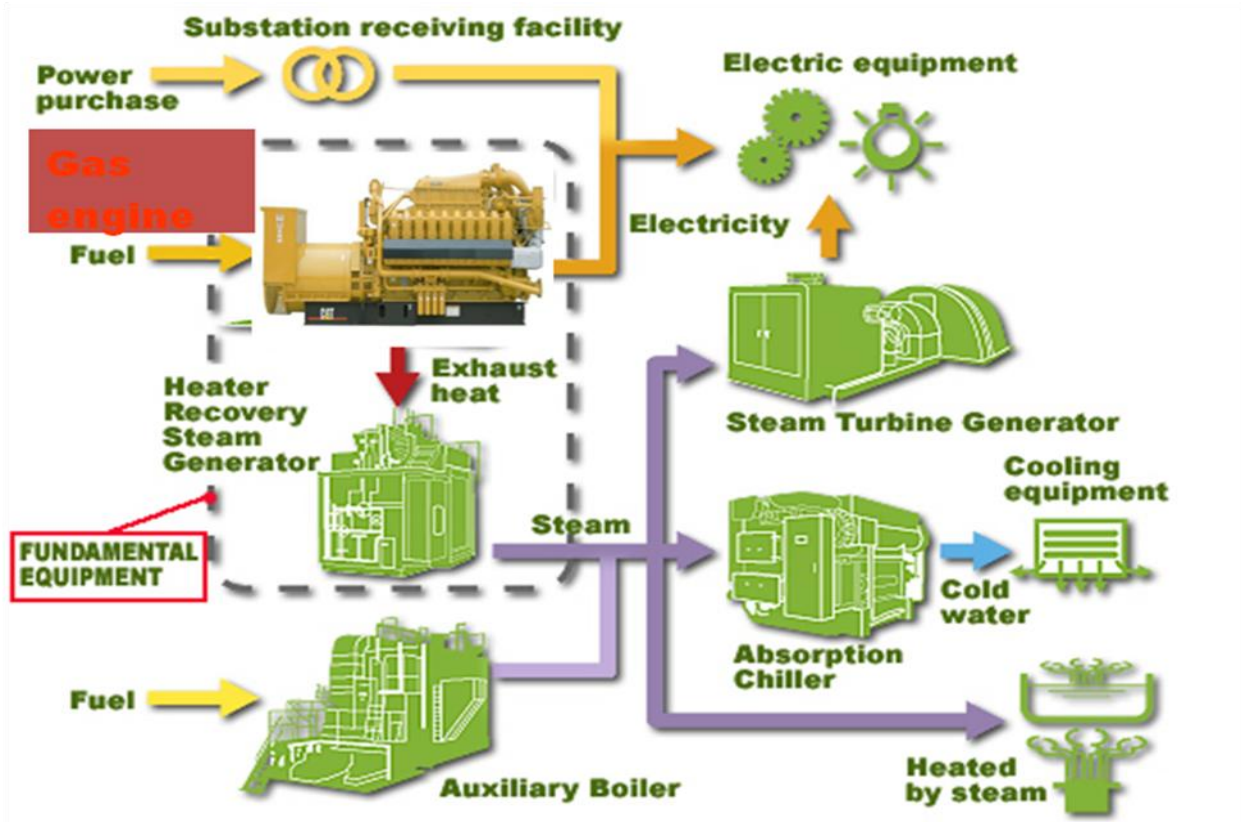
From: Engr. MOHANDIS QURESHI- Address: APROVIS HOUSE # 111-A/2, 3<sup>RD</sup>. STREET, PHASE-6, KH-E-MUHAFIZ, DHA, KARACHI-75500, PAKISTAN, PH-0092 21 35340068/71, MOB: 0300 8287009, E-MAIL: info@aprovis-gmbh.de, E-mail: E-mail: aprovis@gmail.com, E-mail: cogenpak@gmail.com,; www.cogensys.

# APROVIS COGEN BOILERS®

## Waste heat Recovery Boilers Germany



SHABIR TILE UNIT # 2 BIN QASIM	2	CAT G 3516C	STEAM	Hot Wtr	AC CHILLER	2009



From: Engr. MOHANDIS QURESHI- Address: APROVIS HOUSE # 111-A/2, 3<sup>RD</sup>. STREET, PHASE-6, KH-E-MUHAFIZ, DHA, KARACHI-75500, PAKISTAN, PH-0092 21 35340068/71, MOB: 0300 8287009, E-MAIL: info@aprovis-gmbh.de, E-mail: E-mail: aprovis@gmail.com, E-mail: cogepak@gmail.com,; www.cogensys.