

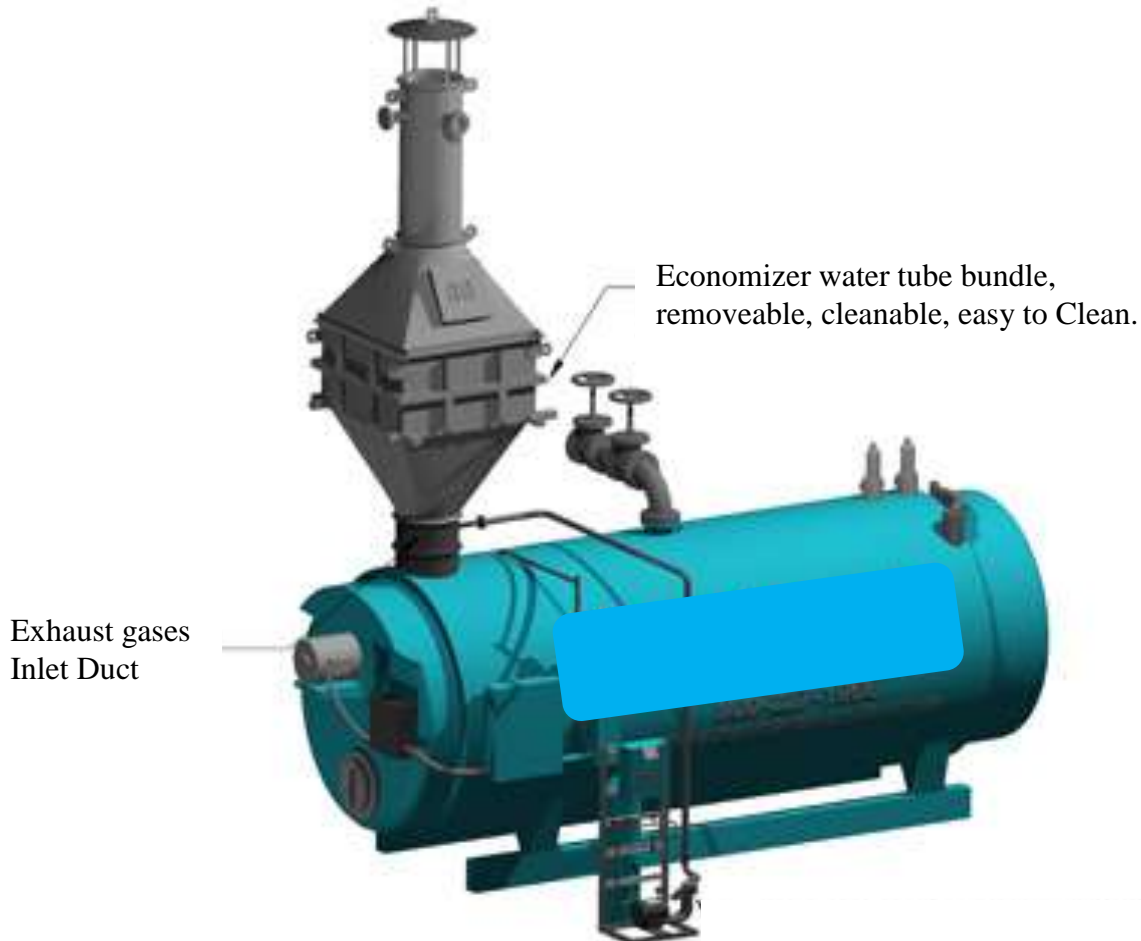
# **CoGen Sys** **Economizers**

ENERGY – EFFICIENCY – ENVIRONMENT  
USE COGEN TECHNIQUES TO CONSERVE



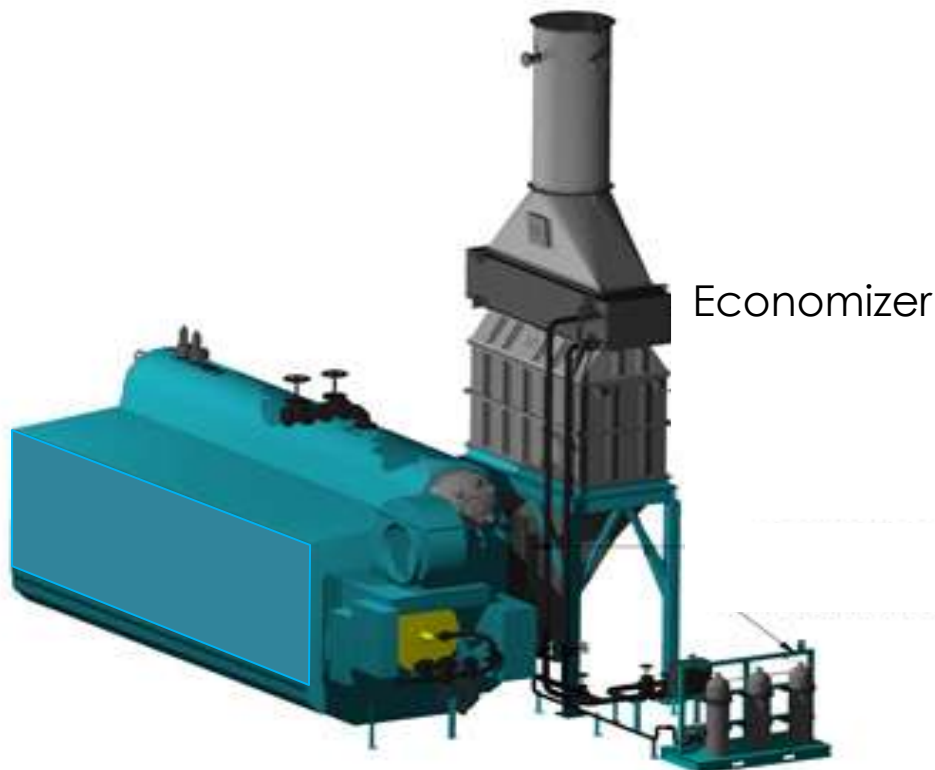
## **Economizer**

- Fuel save 10% ,
- Produce 10% more steam.
- Reduction Exhaust Pollution.
- Improve Boiler Life.
- Pre Heat Boiler Feed Temperature



# **CoGen Sys** **Economizers**

ENERGY – EFFICIENCY – ENVIRONMENT  
USE COGEN TECHNIQUES TO CONSERVE



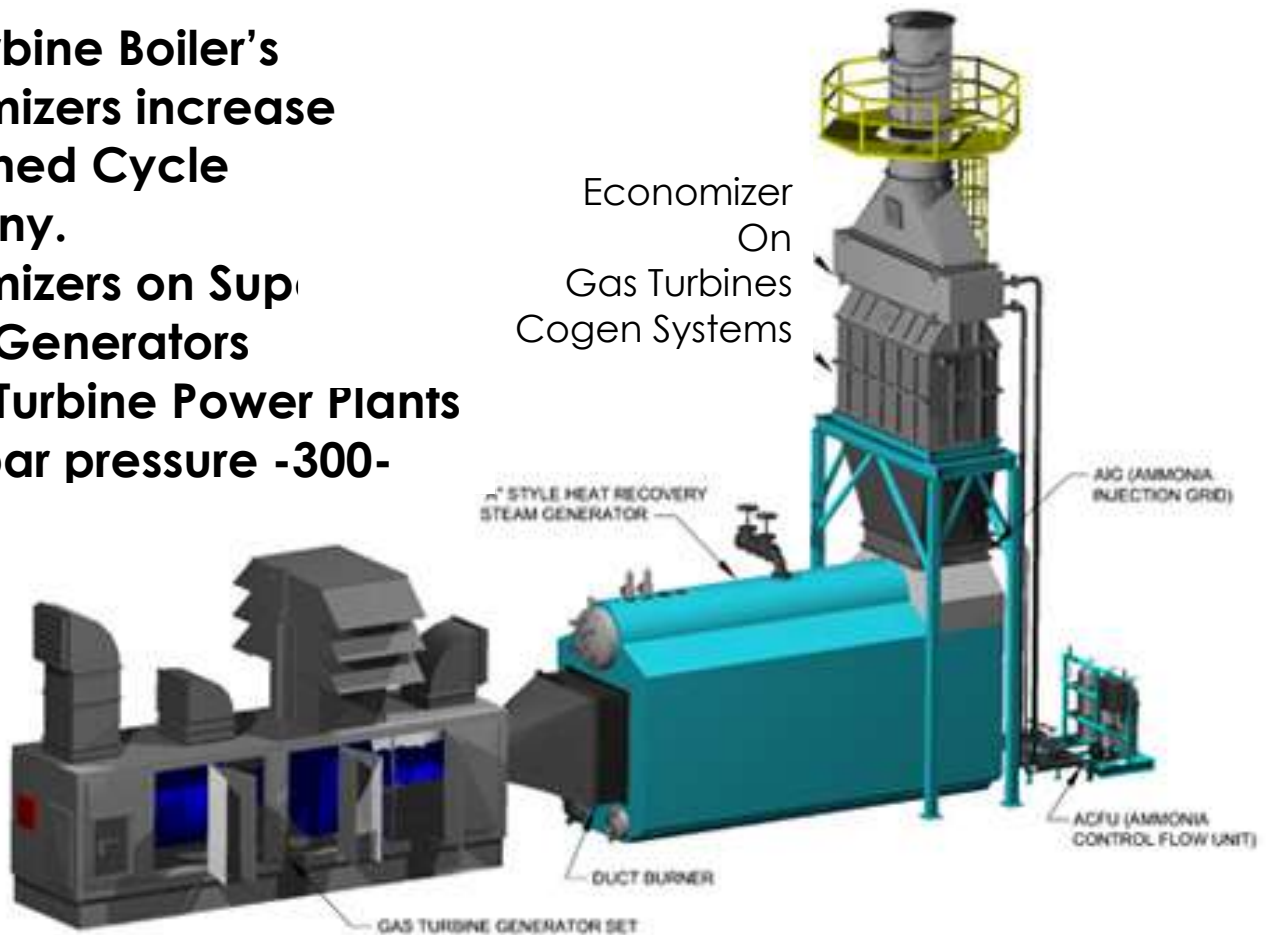
- **Economizers increase Boiler Efficiency.**
- **Economizers on Superheat Steam Generator.**
- **Steam Turbine Power Plants 30-60 bar pressure -300-500C**
- **Plain or Spiral fins increases Boiler Efficiency**

# CoGen Sys Economizers

ENERGY – EFFICIENCY – ENVIRONMENT  
USE COGEN TECHNIQUES TO CONSERVE



- Gas Turbine Boiler's Economizers increase Combined Cycle Efficiency.
- Economizers on Superheated Steam Generators
- Steam Turbine Power Plants 30-60 bar pressure -300-



**Call for free energy audit 0 survey & advises for energy efficiency economics**

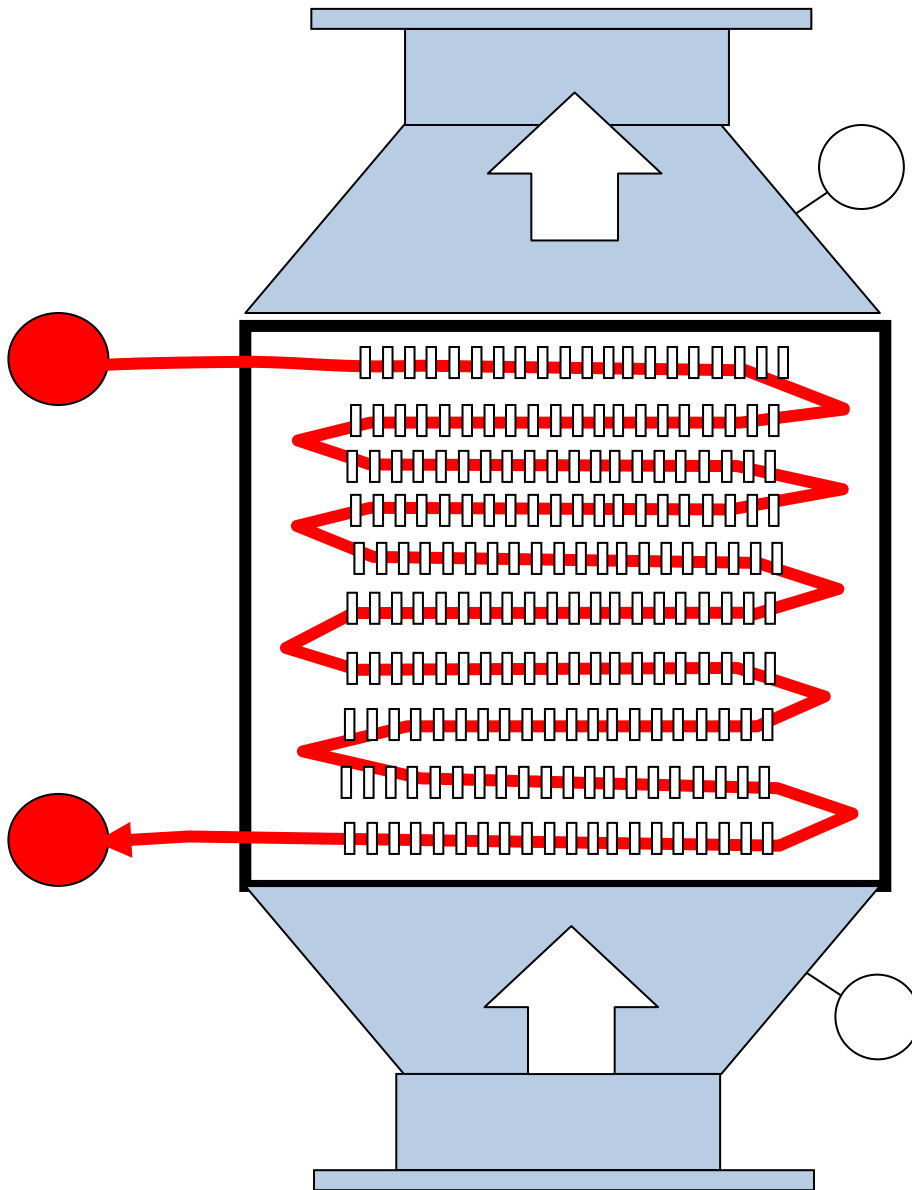
**Engr. KHALID SAEED**

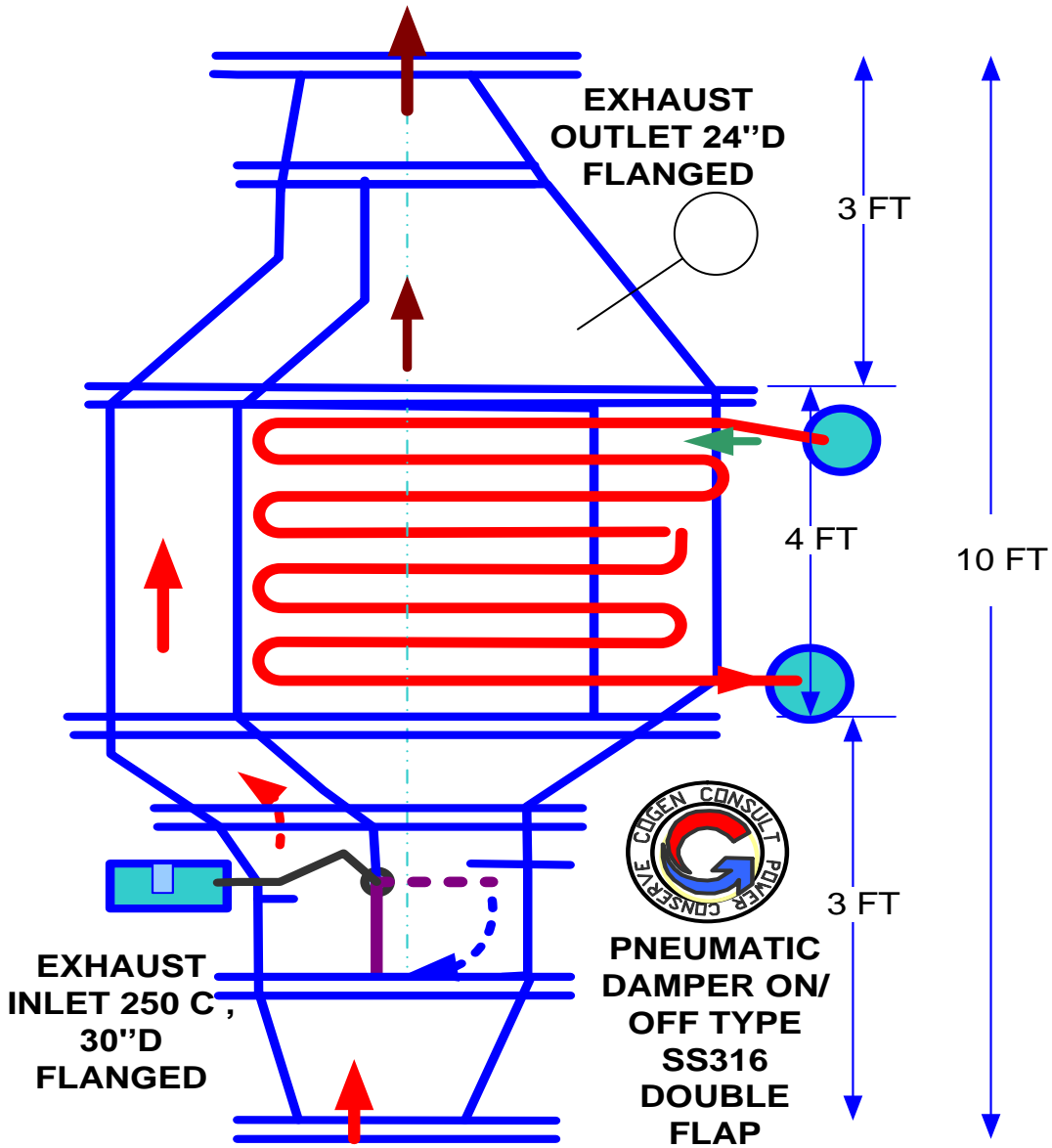
*Khalid Saeed*  
**Engr. Khalid Saeed**  
Principal Engineer (CEO)  
[cogenpak@gmail.com](mailto:cogenpak@gmail.com),  
[cogensystems@yahoo.com](mailto:cogensystems@yahoo.com)



# CoGen Sys Economizers

ENERGY – EFFICIENCY – ENVIRONMENT  
USE COGEN TECHNIQUES TO CONSERVE

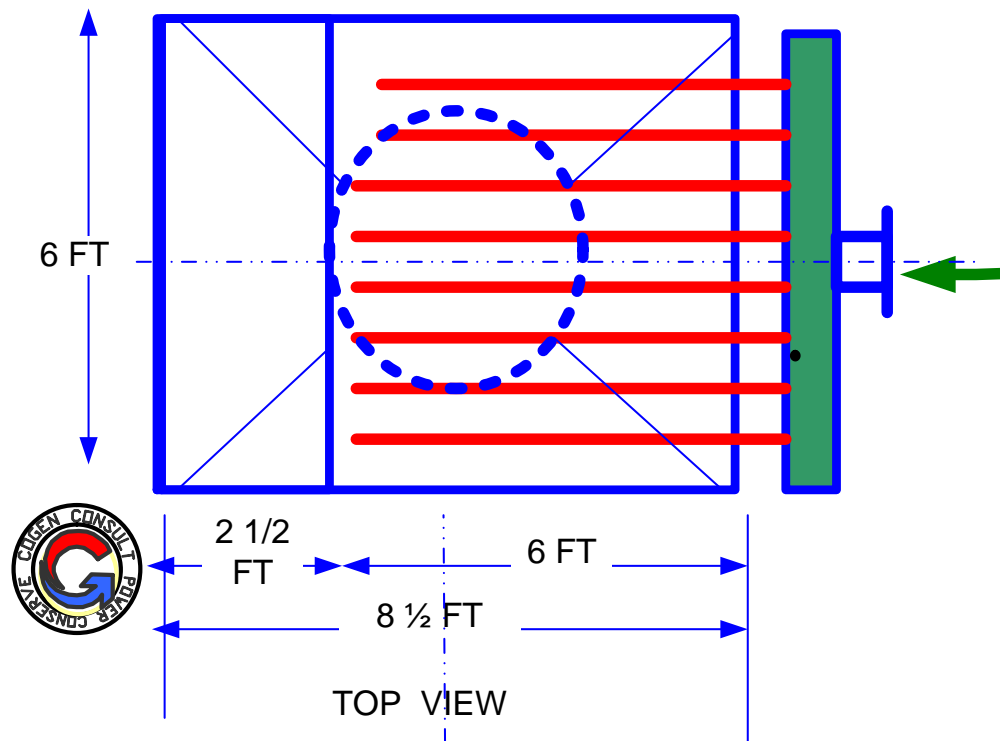




## Economizer with flue gas bypass

# CoGen Sys Economizers

ENERGY – EFFICIENCY – ENVIRONMENT  
USE COGEN TECHNIQUES TO CONSERVE



**Economizer with and without bypass damper built in for tube and finns corrosion safety at low firing**