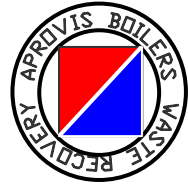


APROVIS COGEN BOILERS®

Waste heat Recovery Boilers Germany



TO

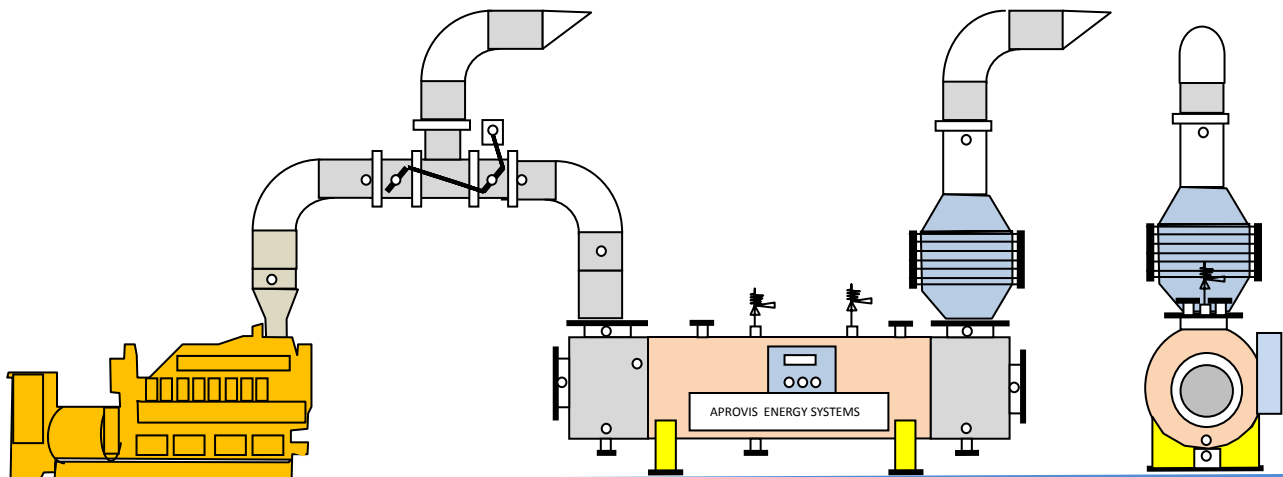
THE M.D / CEO/ CHAIRMAN

G.M. FACTORY / UTILITY MANAGER / FINANCE MANAGER

Recyk Exhaust Gases into useful ,steam, Hot Water

Electric Power, Distilled Water,AC Chillers,Ice makers.

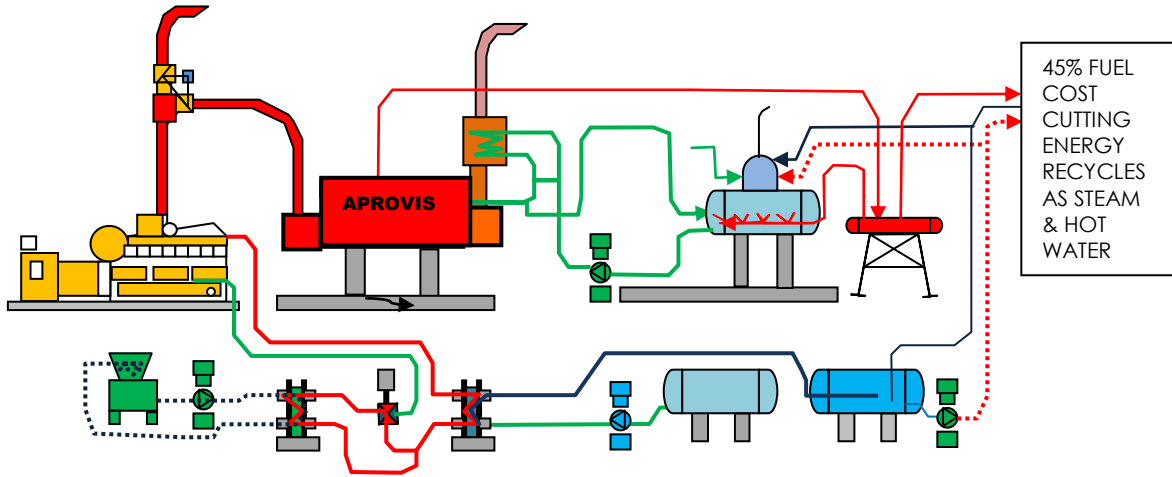
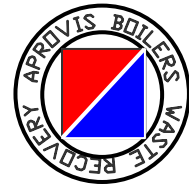
- **APROVIS WASTE HEAT RECOVERY BOILERS –GERMANY.**
- **90% THERMAL EFFICIENCY – DESIGN BY APROVIS GERMANY**
- **ENGINE-GAS TURBINES-FURNACES HEAT RECOVERY BOILERS.**
- **HIGHLY EFFICIENT – DESIGN AND TESTED AT DIN STANDARDS**
- **CONTROL PANELS WITH SAFETY PROTECTIONS –WALL MOUNT**
- **MANUFACTURING PROCEDURE DIN-BS-ASME-EC QUALIFIED.**
- **ENGINE EXHAUST RECOVERY THRU APROVIS BOILERS**
- **ENGINE JACKET HEAT RECOVERY THRU APROVIS BOILERS**
- **EXHAUST DIVERTING DAMPER –MODULATING & ON OFF TYPE.**
- **STEAM BOILER IN/OUT SMOKE CHAMBERS REFRACTORY INSULATED**
- **STEAM & WATER LEVEL CONTROLLER FROM SPIRAX SARCO**
- **EXHAUST ECONOMIZER TO IMPROVE 7% ENERGY EFFICIENCY**
- **EXHAUST TEMP HI & LOW PROTECTION ALARMS & SAFETY**
- **DOUBLE SAFETY VALVE AT STEAM OUTLET.**
- **BLOW DOWN VALVE SPRING RETURN**
- **BOILER FEED PUMPS SKID MOUNTED WITH VALVES NRV GA**
- **CONTINUOUS BLEED OFF VALVE MANUAL ADJUSTED**
- **APROVIS BOILER FEED AUTO LEVEL CONTROLLER**
- **BOILER DAMPER MODULATING TYPE WITH LIMIT SWITCHES**



From: Engr. MOHANDIS QURESHI- Address: APROVIS HOUSE # 111-A/2, 3RD. STREET, PHASE-6, KH-E-MUHAFIZ, DHA, KARACHI-75500, PAKISTAN, PH-0092 21 35340068/71, MOB: 0300 8287009, E-MAIL: info@aprovis-gmbh.de, E-mail: E-mail: aprovis@gmail.com, E-mail: cogepak@gmail.com,; www.cogensys.

APROVIS COGEN BOILERS®

Waste heat Recovery Boilers Germany



APROVIS COGEN –WASTE HEAT RECOVERY STEAM & HOT WATER BOILERS –FROM GERMANY – CONVERT 25% EXHAUST WASTE ENERGY –AND CUT DOWN YOUR GAS BILLS BY 25% - SAVING IS EARNING- APROVIS STEAM & HOT WATER BOILERS ,SIMPLEX OR DUPLEX TYPE ,HIGHLY EFFICIECNT, LONG LIFE, HIGH STEAM GENERATION COMPARED TO ANY COMPETITORS , APROVIS BOILERS PAYS ITSELF THE COST AND EARN PROFIT FOR EVER, AS ITS WORKMANSHIP & TUBE WELD ARE AUTOMATIC

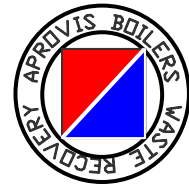
APROVIS WASTE HEAT BOILERS IN PAKISTAN

APROVIS COGEN BOILERS	NO	385	Cogen		2010 UP	
PROECTS IN HAND	Qty	GEN Make Model	Exhaust Recovry	Hot Water	Ceramics Tiles	Year
PROJECT INLINE 2010-2011						
MACTER PHARMA SITE KHI	1	JENBACHER 320	STM	JWFW	PHARMA PROCESS	2007
HEJ INSTITUTE KARACHI UNIVERSITY	4	CAT G3412 -360 KWE	HW	JWHR	CHILLER 200RT	2008
NDC ISLAMABAD	6	GAT G3508	EXHST	HW	CHILLER250	2006
SHABBIR TILE UNIT # 1 LANDHI	6	JGS 320 1 MWE	JWHR	HW85C	CHILLER 450	2009
SHABBIR TILE UNIT # 1 LANDHI	1	JENB JGS32	STEAM	Hot Wtr	AC CHILLER	2009
SHABBIR TILE UNIT # 1 LANDHI	1	JENB JGS 320	STEAM	Hot Wtr	AC CHILLER	2010
SHABBIR TILE UNIT # 2 BIN QASIM	1	CAT G 3520C	STEAM	Hot Wtr	AC CHILLER	2010
SHABBIR TILE UNIT # 2 BIN QASIM	1	CAT G 3516C	STEAM	Hot Wtr	AC CHILLER	2009
SHABBIR TILE UNIT # 2 BIN QASIM	1	CAT G 3516C	STEAM	Hot Wtr	AC CHILLER	2009
SHABBIR TILE UNIT # 2 BIN QASIM	1	CAT G 3516C	STEAM	Hot Wtr	AC CHILLER	2009

From: Engr. MOHANDIS QURESHI- Address: APROVIS HOUSE # 111-A/2, 3RD. STREET, PHASE-6, KH-E-MUHAFIZ, DHA, KARACHI-75500, PAKISTAN, PH-0092 21 35340068/71, MOB: 0300 8287009, E-MAIL: info@aprovis-gmbh.de, E-mail: E-mail: aprovis@gmail.com, E-mail: cogenpak@gmail.com,; www.cogensys.

APROVIS COGEN BOILERS®

Waste heat Recovery Boilers Germany



SHABIR TILE UNIT # 2 BIN QASIM	2	CAT G 3516C	STEAM	Hot Wtr	AC CHILLER	2009

